

# Sinks

# What is the fault and its number?

1 Plug and chain is broken or missing

2 Tap will not open or close properly

3 Tap is dripping

4 Tap is loose

5 Tap is broken

6 Sink top is loose

7 Water is seeping between sink and wall

8 Supply pipe is leaking

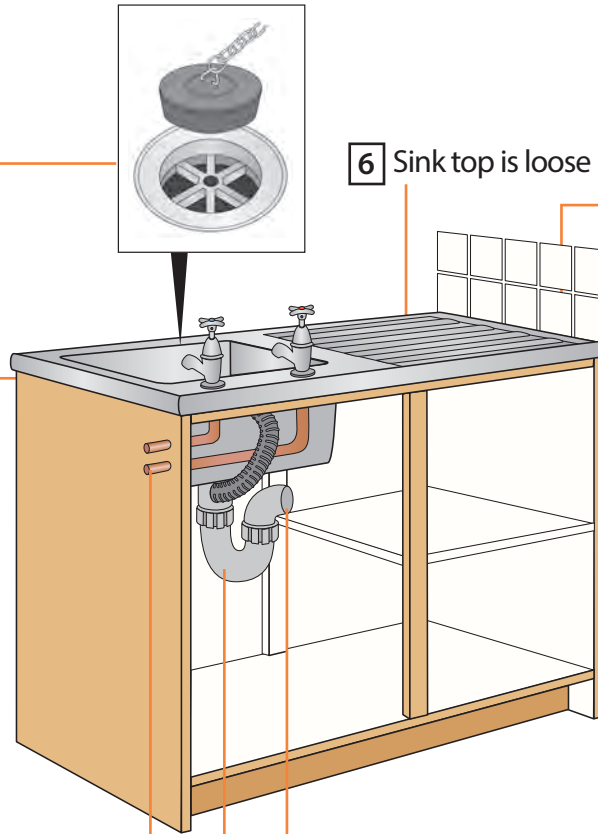
9 Supply pipe is loose

10 Supply pipe has burst

11 Waste is blocked

12 Waste pipe is leaking

13 Trap is broken



Supply pipe Trap Waste